

COAT HOOK
300.5604.MAL

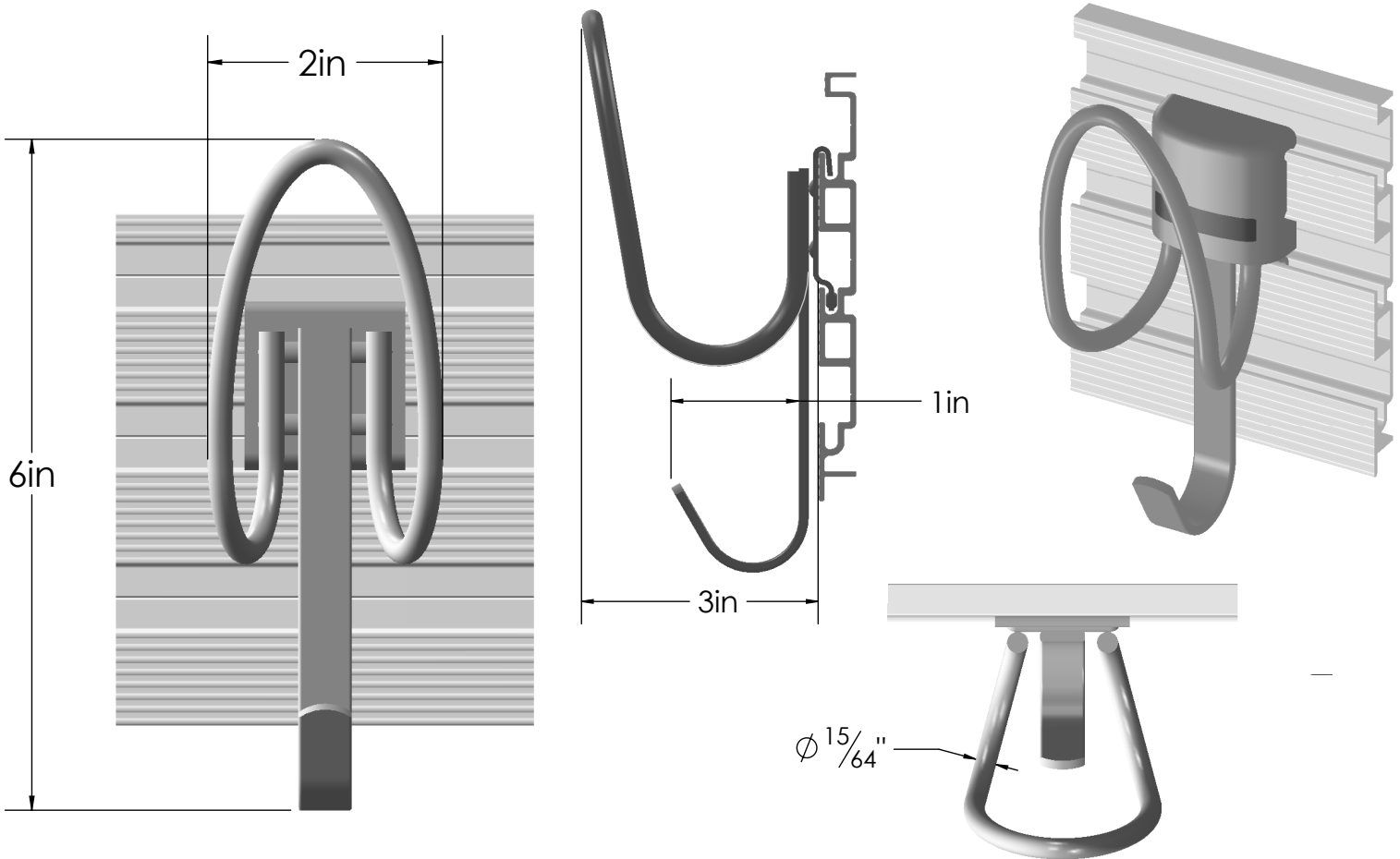
DESCRIPTION & SPECIFICATIONS

Whether you're creating a mudroom or just need a place to hang shop coats, the Coat Hook adds functionality where you need it.

SIZE & CAPACITY | Light Duty

AVAILABLE FINISHES | 

Matte Aluminum.



INSTRUCTIONS & SPECIFICATIONS

- STEP 1: Install hook onto the track panel at the desired height.
- STEP 2: Snap a cover cap 300.5230 onto the hook. It is still possible to slide the hook horizontally with the cover cap snapped on.
- STEP 3: To remove the cover cap put your finger behind one of the side tabs and pull firmly.

- One Cover Cap 300.5230 required and must be ordered separately.

FINISH	CODE (FIN)
MATTE ALUMINUM	MAL

SUGGESTED USES	
COATS	JACKETS
BATH ROBES	HATS

- Hooks & accessories are only intended to be mounted to the track