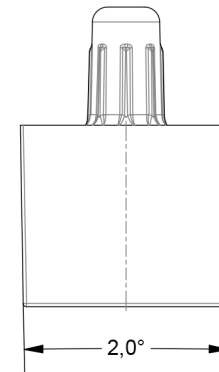
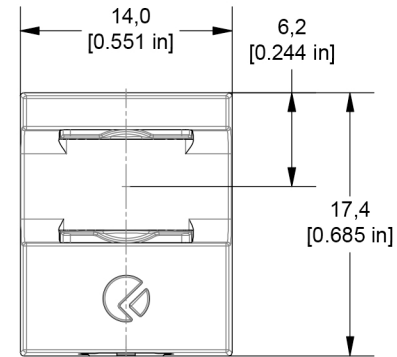
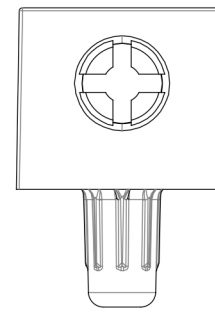
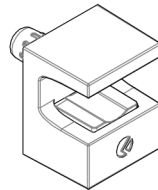
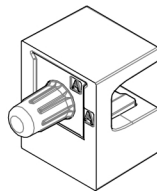


(1:1)



REVISION
-

ITEM/CATALOG NUMBER 284.04.654	DRAWING NUMBER 284.04.654
TITLE KRISTAL GLASS SUPPORT PIN MOUNT, 5-6MM GLASS	
MATERIAL ZINC	FINISH NICKEL-PLATED
<small>NOTICE</small> THIS DRAWING AND ALL INFORMATION THEREON IS THE PROPERTY OF: <b>HÄFELE</b> <small>THIS DRAWING AND INFORMATION THEREON IS CONFIDENTIAL. MUST NOT BE MADE PUBLIC. COPIES OR USE BY THIRD PARTIES WITHOUT THE WRITTEN PERMISSION OF HÄFELE AMERICA, CO. IS STRICTLY PROHIBITED. © 2017 HÄFELE AMERICA, CO.</small>	
<small>THIS DRAWING AND ALL INFORMATION THEREON IS THE PROPERTY OF:</small> <small>COPIES OR USE BY THIRD PARTIES WITHOUT THE WRITTEN PERMISSION OF HÄFELE AMERICA, CO. IS STRICTLY PROHIBITED. © 2017 HÄFELE AMERICA, CO.</small>	DRAWN BY: NPG APPROVED BY: JF DATE: 7/21/2010
TOLERANCE SPECIFICATION ISO 2768-m	SCALE: 2:1 SIZE A SHEET 1 OF 1