



US00D894653S

(12) **United States Design Patent** (10) **Patent No.:** **US D894,653 S**
Smith et al. (45) **Date of Patent:** **** Sep. 1, 2020**

(54) **DRAWER TRAY**

<https://www.allmodern.com/furniture/pdp/trent-austin-design-rena-console-table-trnt2642.html?piid=36643702%2C36643705> (Year: 2015).*

(71) Applicant: **Hafele America Co.**, Archdale, NC (US)

(Continued)

(72) Inventors: **Paul Smith**, Pfafftown, NC (US); **Daniel Tripp**, Archdale, NC (US); **Max Neumeyer**, Köln (DE); **Stefan Ambrozus**, Köln (DE); **Hans-Peter Krakehl**, Neustadt (DE); **Stephan Jendes**, Imsweiler (DE); **Dennis Werle**, Mannheim (DE)

Primary Examiner — Mary Ann Calabrese
Assistant Examiner — Catherine Ho
(74) *Attorney, Agent, or Firm* — Womble Bond Dickinson (US) LLP

(73) Assignee: **Hafele America Co.**, Archdale, NC (US)

(57) **CLAIM**
The ornamental design for a drawer tray, as shown and described.

(**) Term: **15 Years**

DESCRIPTION

(21) Appl. No.: **29/577,440**

(22) Filed: **Sep. 13, 2016**

(51) **LOC (12) Cl.** **06-06**

(52) **U.S. Cl.**
USPC **D6/705.5**

(58) **Field of Classification Search**
USPC D3/297; D6/663, 664, 664.1, 671, 671.1, D6/671.2, 671.3, 671.4, 705, 705.2, D6/705.5, 707.19
CPC A47B 17/04; A47B 47/03; A47B 67/00; A47B 67/04; A47B 88/00; A47B 88/40; A47B 77/00
See application file for complete search history.

FIG. 1 is a front view of a first embodiment of a drawer tray, showing our new design;
FIG. 2 is a front top left perspective view thereof;
FIG. 3 is a front top left perspective view of a second embodiment of a drawer tray shown in an environment of use;
FIG. 4 is a front top right perspective view of the drawer tray of FIG. 1;
FIG. 5 is a front bottom right perspective view of the drawer tray of FIG. 3;
FIG. 6 is a front top left perspective view of the drawer tray of FIG. 1; and
FIG. 7 is a front top left perspective view of the drawer tray of FIG. 3 shown in an environment of use; and
FIG. 8 is an enlarged detailed view of a corner of the drawer tray indicated by the encircled area 8 in FIG. 8.
The broken line portions of the drawings are included to show an environment that forms no part of the claimed design. The drawer tray is shown with a symbolic break in its length in FIGS. 1, 2, 4, and 6. The appearance of any portion of the drawer tray between the wavy dashed break lines forms no part of the claimed design. The drawer tray has a central wood grain appearance with rectangular sides having a metallic appearance.

(56) **References Cited**

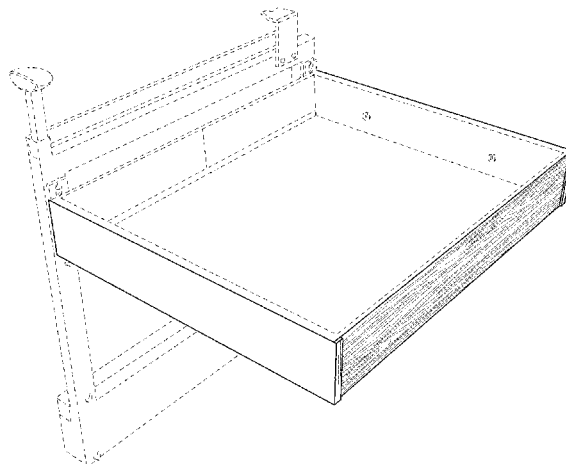
U.S. PATENT DOCUMENTS

D94,482 S * 2/1935 Hawk D6/671.1
D165,242 S * 11/1951 Porter D6/671.1
(Continued)

OTHER PUBLICATIONS

Rena Console Table, posted at Allmodern.com, posted on May 19, 2015, site visited Apr. 17, 2019. online, available from internet:

1 Claim, 7 Drawing Sheets



(56)

References Cited

U.S. PATENT DOCUMENTS

D168,377	S	*	12/1952	Rundell	D6/671.1
D177,157	S	*	3/1956	Van Koert	D6/671.1
D185,760	S	*	7/1959	Lubberts	D6/671.1
D185,761	S	*	7/1959	Lubberts	D6/671.1
D185,762	S	*	7/1959	Lubberts	D6/671.1
D288,754	S	*	3/1987	Fuss	D6/671.1
D374,569	S	*	10/1996	Paus	D6/664.1
D381,846	S	*	8/1997	Wachtler	D6/705
D507,897	S	*	8/2005	Juneau	D6/663
D508,796	S	*	8/2005	Juneau	D6/671.1

OTHER PUBLICATIONS

Reclaimed wood coffee table, posted at Foter.com, posted on Sep. 13, 2015, site visited Apr. 17, 2019. online, available from internet: <https://foter.com/photos/pi/334/reclaimed-wood-coffee-table-with-metal-trim.jpg> (Year: 2015).*

Reclaimed wood bench, posted at Etsy.com, posted on Jun. 2, 2015, site visited Apr. 17, 2019. online, available from internet: <https://www.etsy.com/shop/ReclaimedWoodUSA/reviews?ref=pagination&page=179> (Year: 2015).*

DIY, posted at Hgtv.com, posted on Oct. 6, 2012, site visited Oct. 4, 2019. online, available from internet: https://tineye.com/search/c4aa8b6e00ea56ac2df4631c4c518df9e4783c0e?page=1&extension_ver=chrome-1.3.0 (Year: 2012).*

Crate, posted at Amazon.com, posted on Oct. 6, 2013, site visited Oct. 4, 2019. online, available from internet: https://tineye.com/search/b9ad3466326976636346ab7286f3c40ccdc2c887?page=1&extension_ver=chrome-1.3.0 (Year: 2013).*

250 Flat Top Trunk, posted at Thepirateslair.com, posted on Oct. 1, 2013, site visited Oct. 4, 2019. online, available from internet: https://tineye.com/search/f7b214e2125a0ae29eleff78dcca2ef17d467577?page=1&extension_ver=chrome-1.3.0 (Year: 2013).*

217 Civil War Flattop, posted at Thepirateslair.com, posted on Oct. 1, 2013, site visited Oct. 4, 2019. online, available from internet: https://tineye.com/search/5371e0dc726b33f5b0249c8b1eff1f049d98b10f?page=1&extension_ver=chrome-1.3.0 (Year: 2013).*

Hafele Pull-Out Pantry Frame, https://www.hafele.com/us/en/product/pull-out-pantry-frame-full-extension-256-lbs.-weight-capacity/0000090000384ea00030023/#SearchParameter=&@QueryTerm=*%&Category=P_7AqBtGwoYAAAFJSpNygNxe&FF.followSearch=10000&PageNumber=1&OriginalPageSize=12&PageSize=12&Position=1&OrigPos=1&PDP=true, known at least as early as Sep. 12, 2016, 2 pgs.

Hafele Pull-Out Pantry Frame (2nd), https://www.hafele.com/us/en/product/pull-out-pantry-frame-full-extension-256-lbs.-weight-capacity/000000b70003812300020023/#SearchParameter=&@QueryTerm=*%&Category=P_7AqBtGwoYAAAFJSpNygNxe&FF.followSearch=10000&PageNumber=1&OriginalPageSize=12&PageSize=12&Position=10&OrigPos=1&PDP=true, known at least as early as Sep. 12, 2016, 1 pg.

Hafele Individual Adjustable Tray, for LAVIDO Pantry Pull-Out, https://www.hafele.com/us/en/product/individual-adjustable-tray-for-lavido-pantry-pull-out/000000170001c12200020023/#SearchParameter=&Category=P_7AqBtGwoYAAAFJSpNygNxe&FF.followSearch=10000&PageNumber=2&OriginalPageSize=12&Position=22&OrigPos, known at least as early as Sep. 12, 2016, 1 pg.

Hafele Base Pull-Out, Full Extension Frame, [https://www.hafele.com/us/en/product/base-pull-out-full-extension-frame/000000020002a84f00020023/#SearchParameter=&@QueryTerm="](https://www.hafele.com/us/en/product/base-pull-out-full-extension-frame/000000020002a84f00020023/#SearchParameter=&@QueryTerm=)

*&Category=ZVTAqBtGWlcAAAFJ96pygnXe&FF.followSearch=10000&PageNumber=1&OriginalPageSize=12&PageSize=12&Position=1&OrigPos=1&PDP=true, known at least as early as Sep. 12, 2016, 1 pg.

Hafele Storage Tray, for SmartCab® Pull-Out, <https://www.hafele.com/us/en/product/storage-tray-for-smartcab-pull-out/54631863/?MasterSKU=0000008300024e6b00020023#SearchParameter=&Category=ZVTAqBtGWlcAAAFJ96pygnXe&FF.followSearch=10000&PageNumber=4&OriginalPageSize=12&Position=40&OrigPos>, known at least as early as Sep. 12, 2016, 1 pg.

Hafele Cutlery Box 2, Fineline Move, 211x300x49 mm, https://www.hafele.com/us/en/product/cutlery-box-2-fineline-move-211-x-300-x-49-mm/000000870002e84400020023/#SearchParameter=&Category=00_AqBtG2SUAAAFJhJ5ygnXe&FF.followSearch=10000&PageNumber=2&OriginalPageSize=12&Position=17&OrigPos, known at least as early as Sep. 12, 2016, 1 pg.

Hafele Magic Corner II, for Blind Corner Cabinets, https://www.hafele.com/us/en/product/magic-corner-ii-for-blind-corner-cabinets/000000b4000375e300020023/#SearchParameter=&@QueryTerm=*%&Category=p3PAqBtGfoMAAAFJdq5ygnXe&FF.followSearch=10000&PageNumber=1&OriginalPageSize=12&PageSize=12&Position=3&OrigPos=1&PDP=true, known at least as early as Sep. 12, 2016, 1 pg.

Hafele Magic Corner I, For Blind Corner Cabinets, https://www.hafele.com/us/en/product/magic-corner-i-for-blind-corner-cabinets/0000005e0000a34d00020023/#SearchParameter=&@QueryTerm=*%&Category=p3PAqBtGfoMAAAFJdq5ygnXe&FF.followSearch=10000&PageNumber=1&OriginalPageSize=12&PageSize=12&Position=4&OrigPos=1&PDP=true, known at least as early as Sep. 12, 2016, 1 pg.

Rev-a-Shelf, Insert Customizable Wood Drawer Organizer for Drawers, <http://www.rev-a-shelf.com/rev-pages/product-listing.aspx?CategoryFilterID=36&SubcategoryFilterID=41>, known at least as early as Sep. 12, 2016, 1 pg.

Omega National, Drawer Inserts, <http://www.omeganationalproducts.com/php/products.php?p=pl&cid=339>, known at least as early as Sep. 12, 2016, 1 pg.

Omega National, Tra-Sta Deep Drawer Kit, <http://www.omeganationalproducts.com/php/products.php?p=pl&pid=552>, known at least as early as Sep. 12, 2016, 2 pgs.

Omega National, Cutlery Drawer System, <http://www.omeganationalproducts.com/php/products.php?p=pl&pid=226>, known at least as early as Sep. 12, 2016, 2 pgs.

Kraftmaid, Adjustable Drawer Dividers, http://www.kraftmaid.com/adjustable-drawer-dividers-add_0000/, known at least as early as Sep. 12, 2016, 3 pgs.

Kraftmaid, Base Pots and Pans Storage with Adjustable Drawer Dividers, <http://www.kraftmaid.com/base-pots-and-pans-storage-bpps0000/>, known at least as early as Sep. 12, 2016, 3 pgs.

Schuler Cabinetry, Food and Pantry, <http://www.schulercabinetry.com/a-place-for-everything/food-and-pantry>, known at least as early as Sep. 12, 2016, 8 pgs.

Schuler Cabinetry, Baking and Cooking, <http://www.schulercabinetry.com/a-place-for-everything/baking-and-cooking>, known at least as early as Sep. 12, 2016, 8 pgs.

Wood-Mode, Drawers, <http://www.wood-mode.com/cabinetry-options/storage-convenience/drawers>, known at least as early as Sep. 12, 2016, 2 pgs.

Blum Products, Box Systems, <http://www.blum.com/us/en/01/#4>, known at least as early as Sep. 12, 2016, 1 pg.

Blum Products, Storage Solutions, <http://www.blum.com/us/en/01/#5>, known at least as early as Sep. 12, 2016, 1 pg.

* cited by examiner

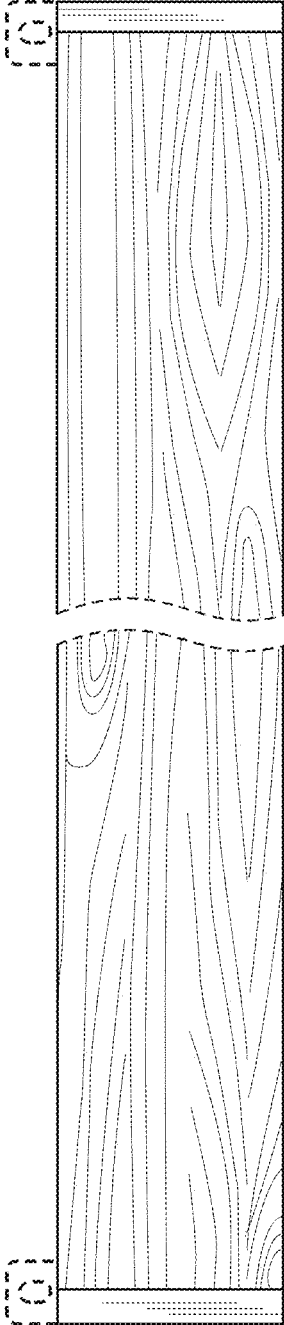


FIG. 1

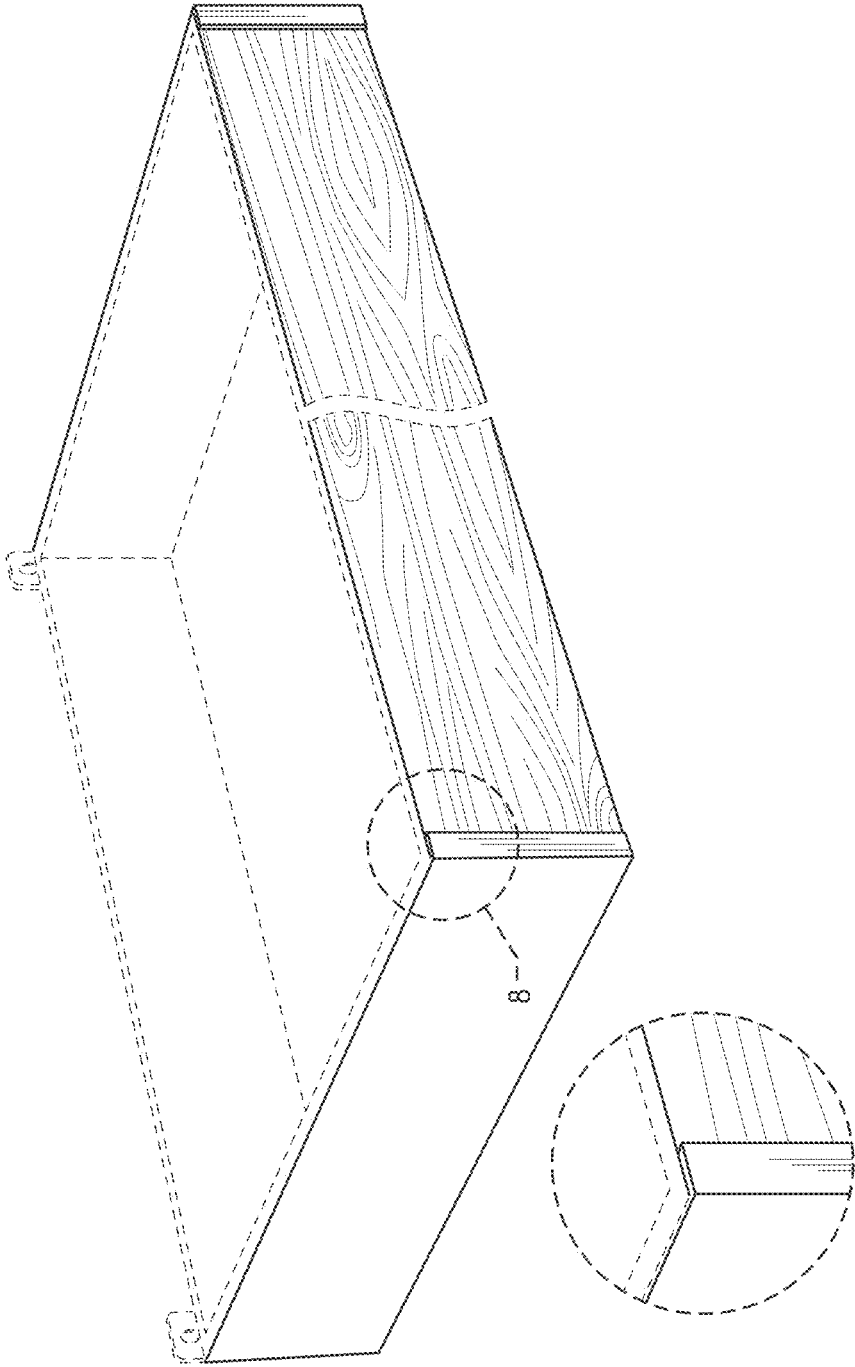


FIG. 2

FIG. 8

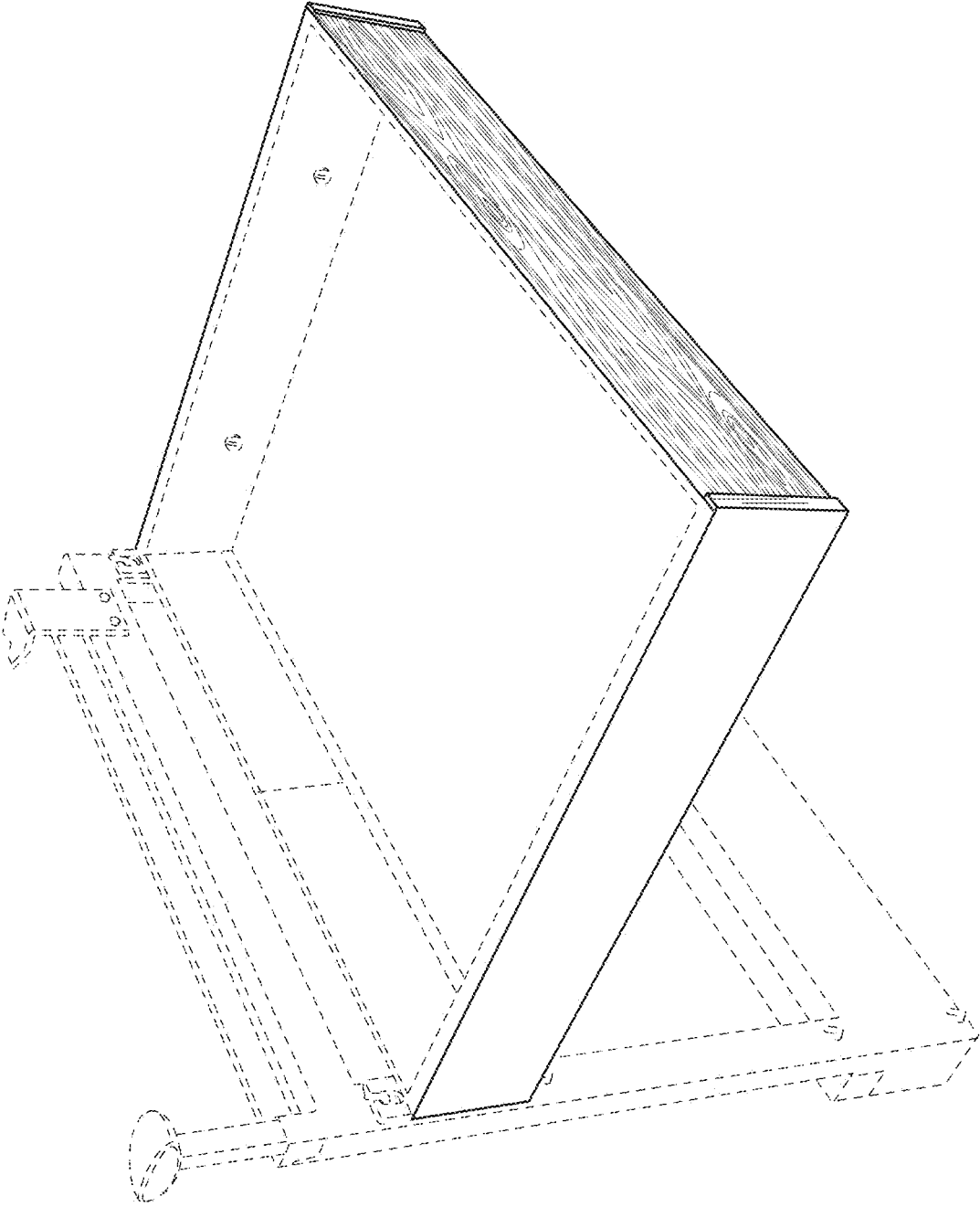


FIG. 3

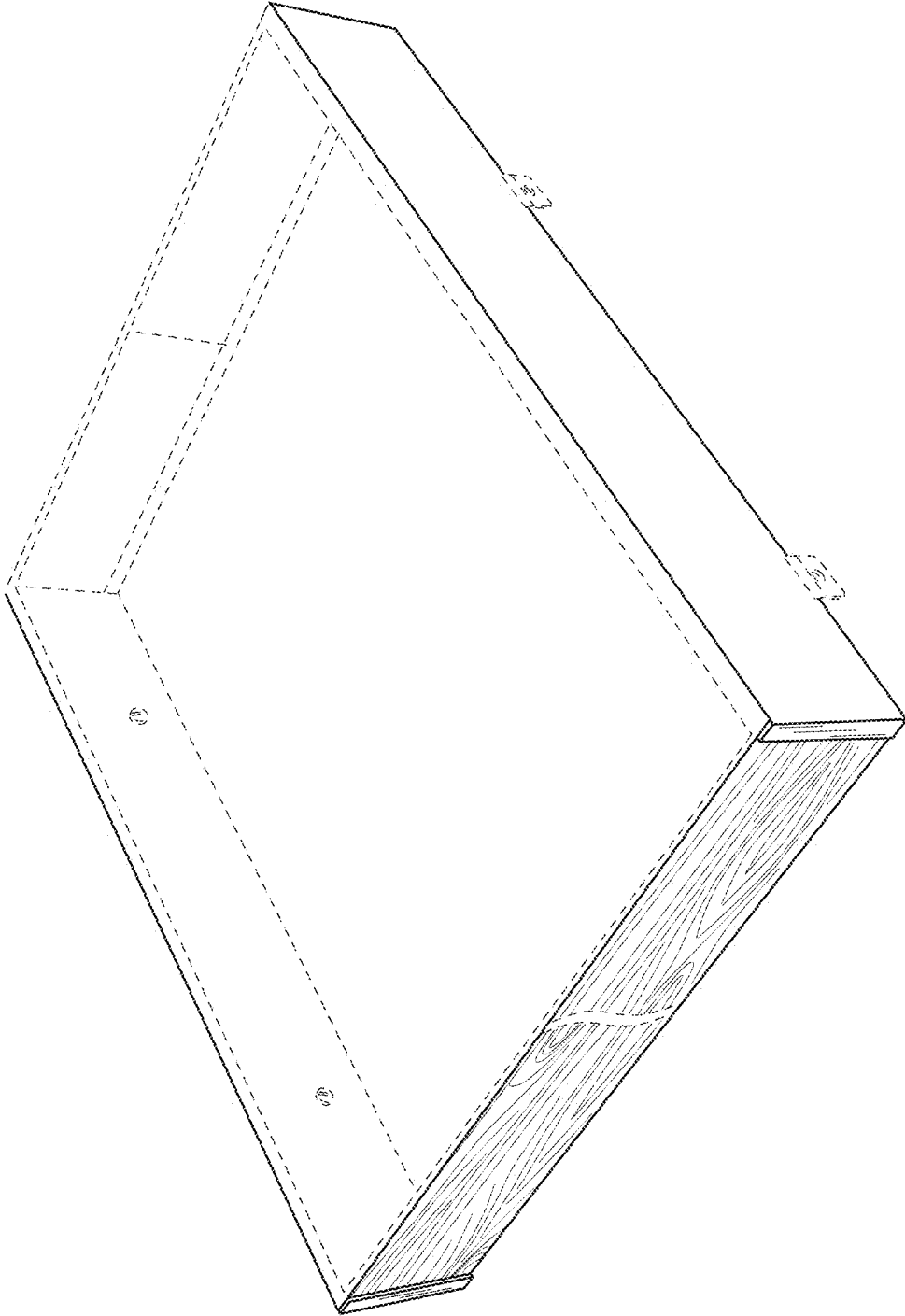


FIG. 4

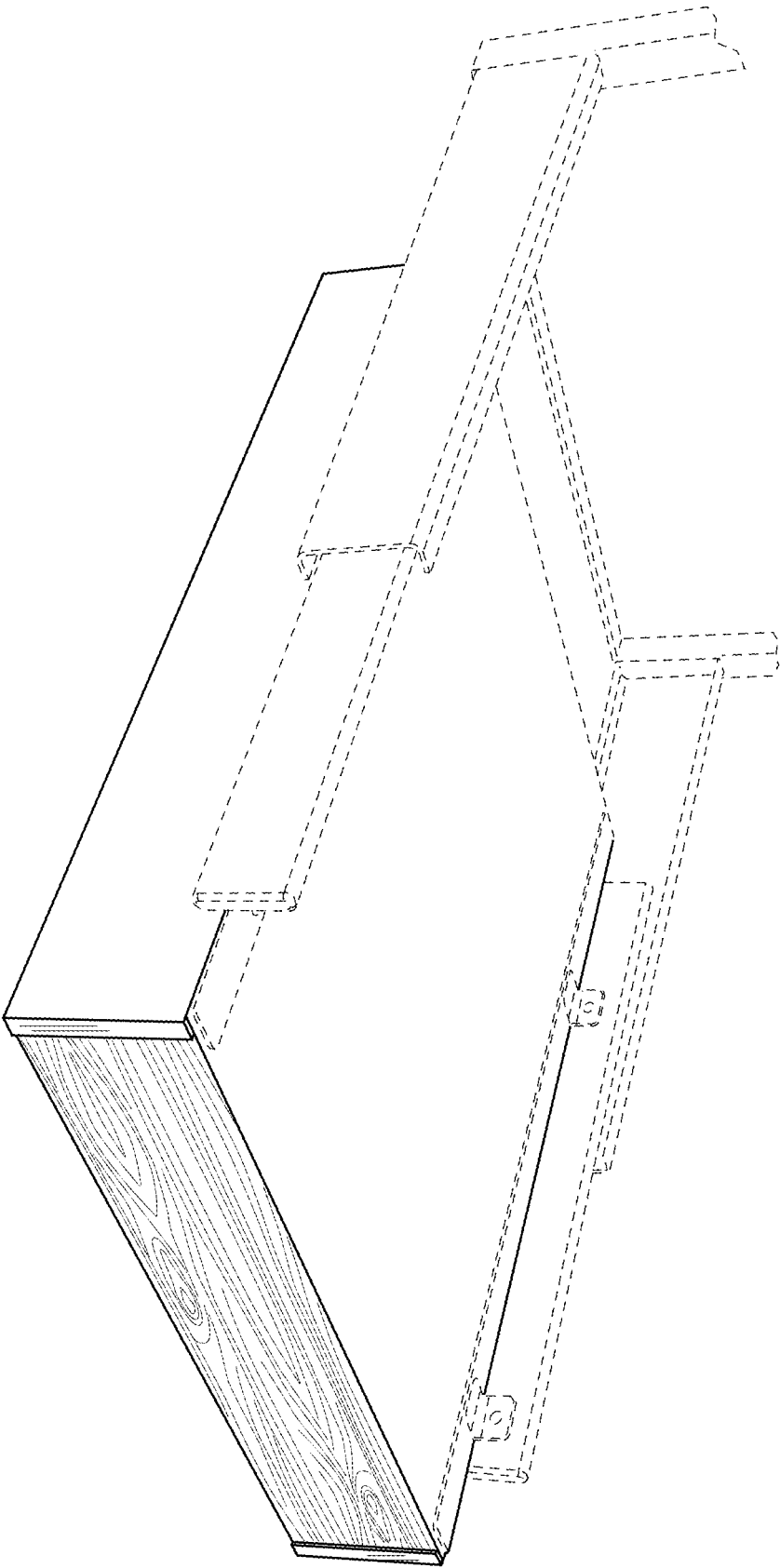


FIG. 5

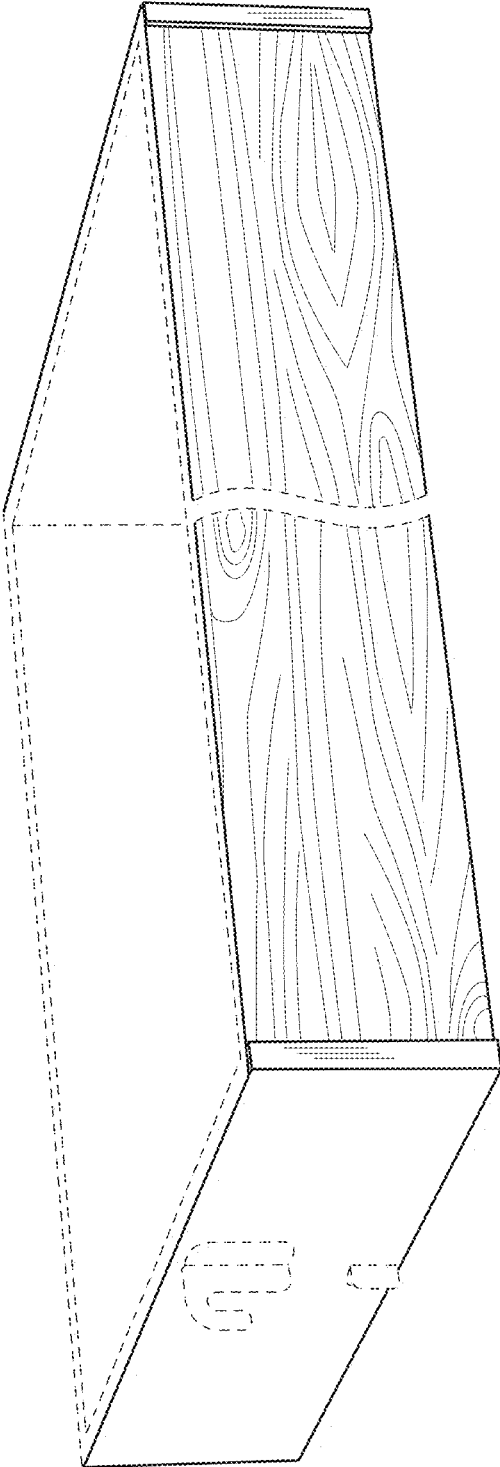


FIG. 6

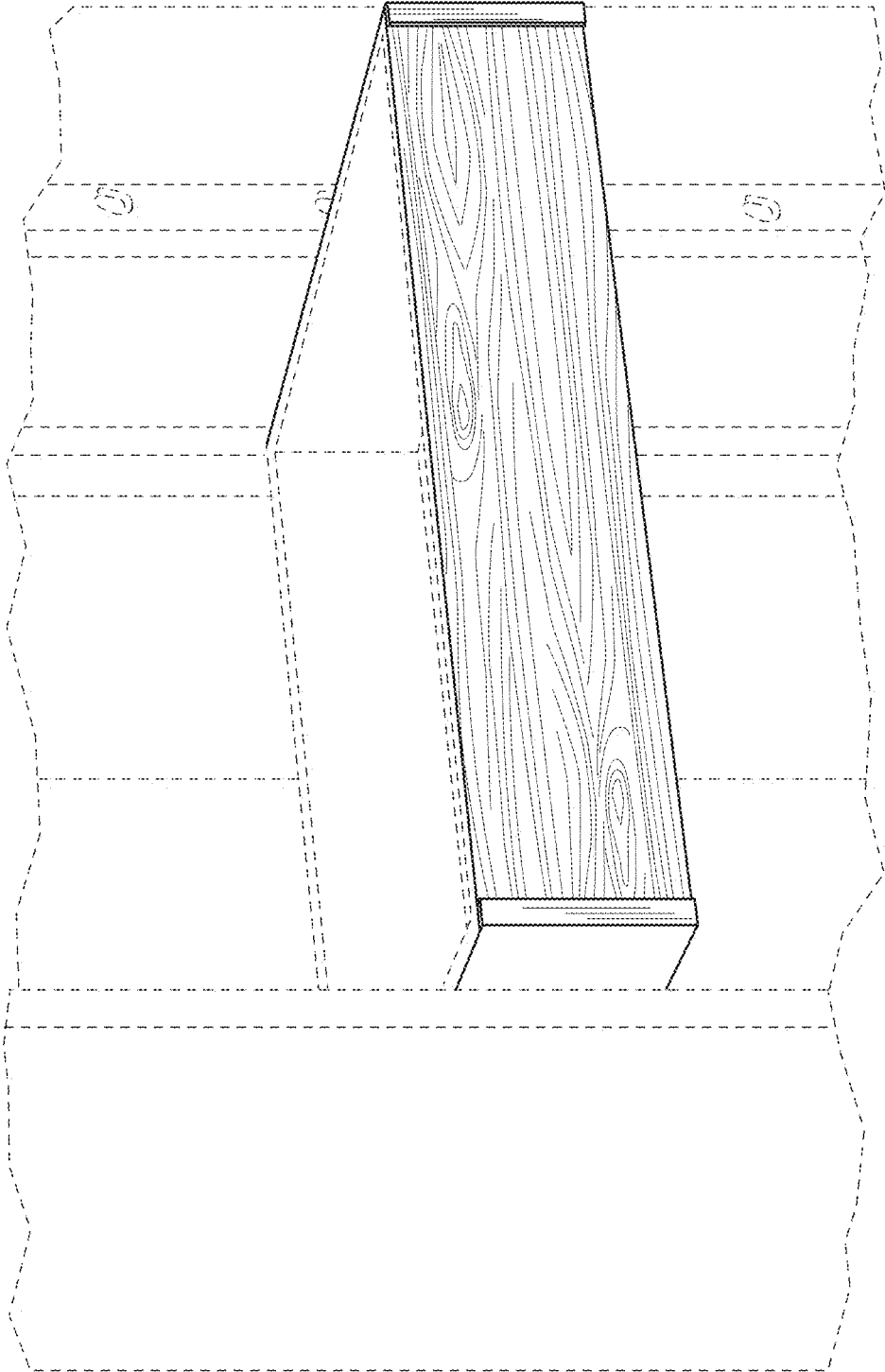


FIG. 7