

INSTALLATION HARDWARE
double outlet grommet

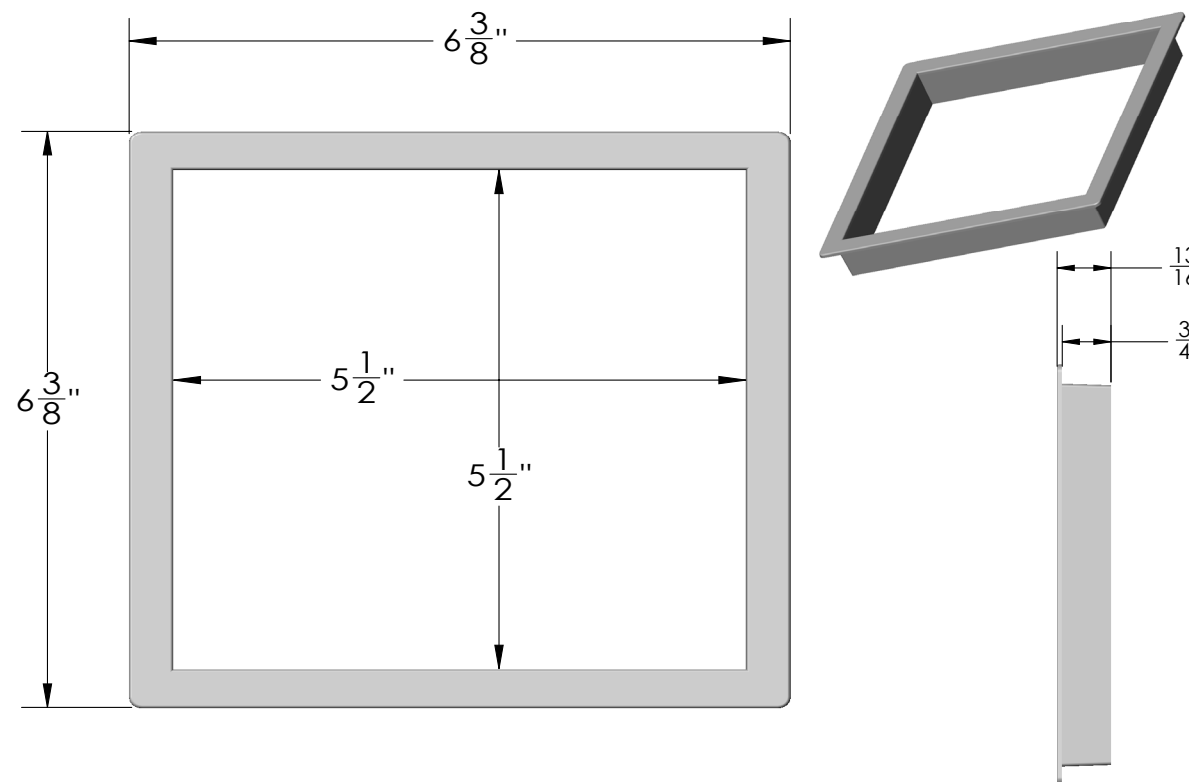
300.4364.xxx

FEATURES

Creates a clean finished look where partitions must be cut to allow access to a wall outlet



Designed for a double light switch or outlet socket

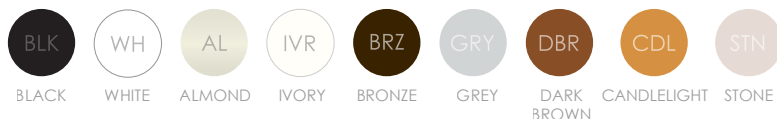


DIMENSIONS

SPECS

300.4364.^(FINISH)xxx

FINISH:



OPTIONS



300.4364.GRY

FINISHED PRODUCT