

INSTALLATION HARDWARE

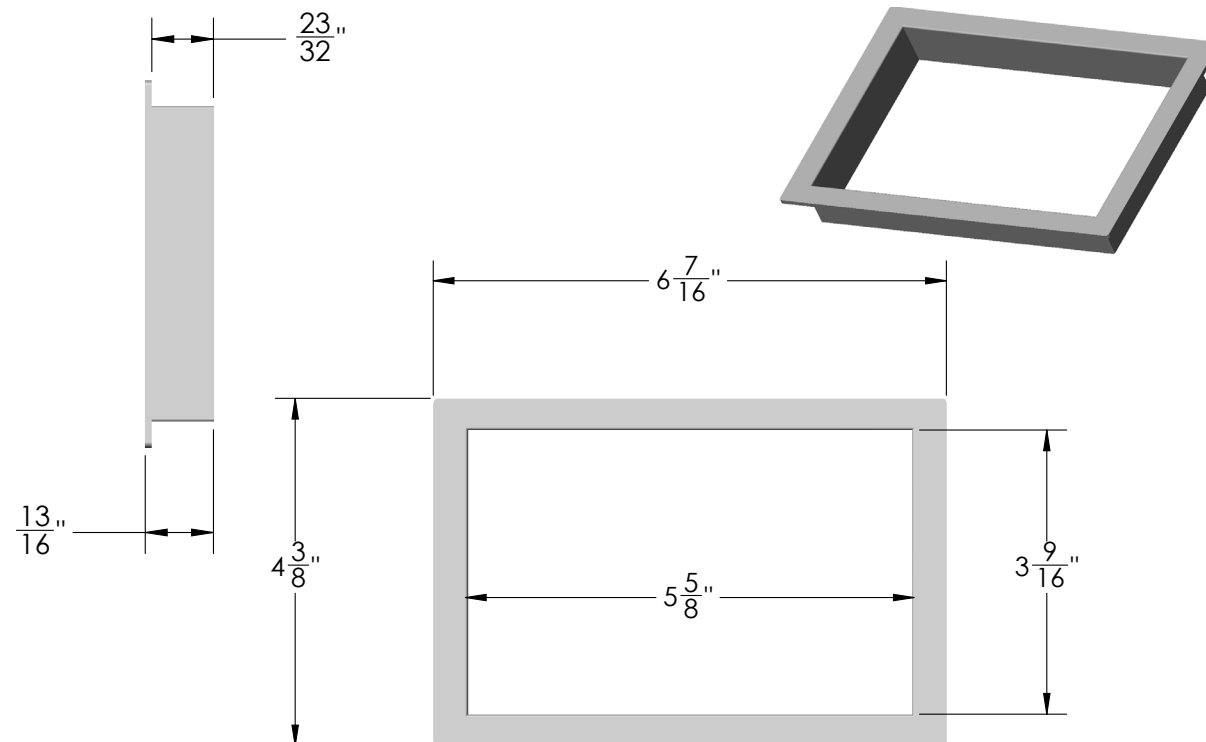
outlet grommet

300.4332.xxx

FEATURES

Creates a clean finished look where partitions must be cut to allow access to a wall outlet

Designed for a single light switch or outlet socket

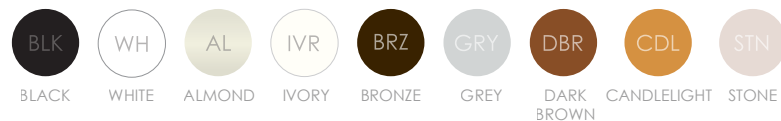


DIMENSIONS

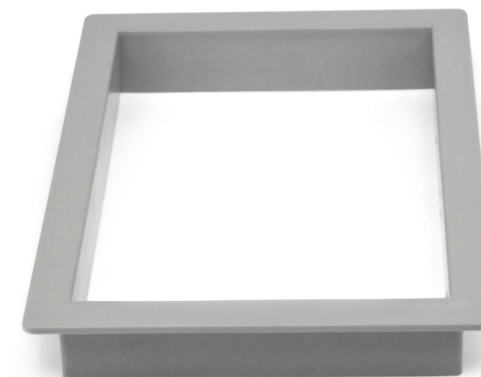
SPECS

300.4332.^(FINISH)xxx

FINISH:



OPTIONS



300.4332.GRY

FINISHED PRODUCT