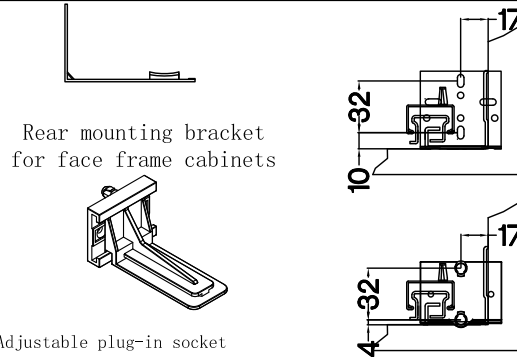


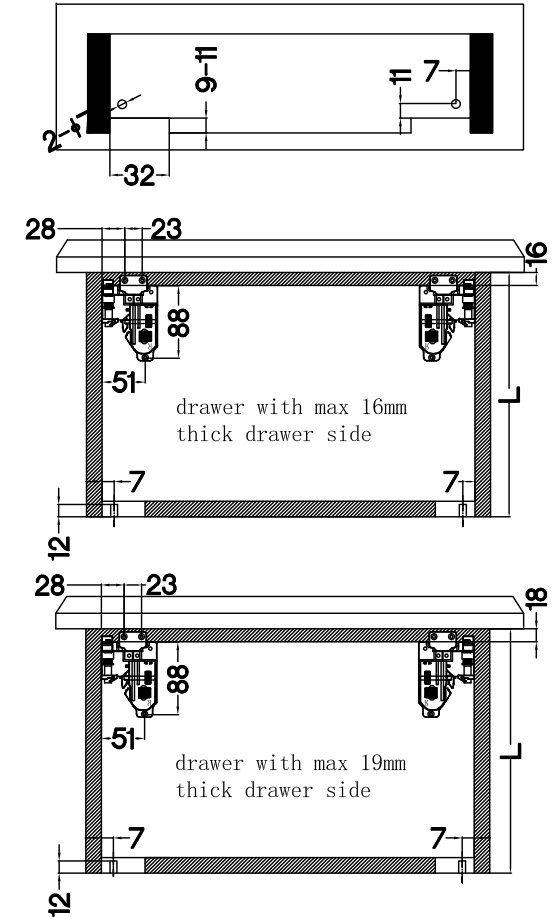
X :Panel thickness
 L :Drawer length
 WL:Internal Cabinet Width
 NL:Nominal Length
 DL:Cabinet Internal Depth
 ML:Drawer Internal Width

433.32.800SLD SFTSIL CNCL UDMT FL 16MM ST ZIP
 9433.32.801SLD SFTSIL CNCL UDMT FL 16MM ST ZIP
 12433.32.803SLD SFTSIL CNCL UDMT FL 16MM ST ZIP
 15433.32.805SLD SFTSIL CNCL UDMT FL 16MM ST ZIP
 18433.32.807SLD SFTSIL CNCL UDMT FL 16MM ST ZIP
 21433.32.809SLD SFTSIL CNCL UDMT FL 16MM ST ZIP
 24433.32.811SLD SFTSIL CNCL UDMT FL 16MM ST ZIP
 CSPA433.32.813SLD SFTSIL CNCL FL 16MM KIT ST ZIP 12
 CSPA433.32.815SLD SFTSIL CNCL FL 16MM KIT ST ZIP 18
 CSPA433.32.817SLD SFTSIL CNCL FL 16MM KIT ST ZIP 21 CSD

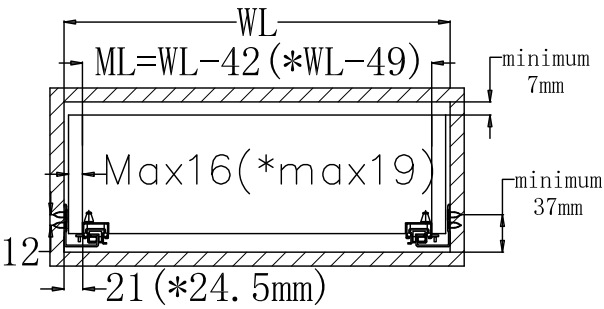


Adjustable plug-in socket

Installation Reference for Rear Hook

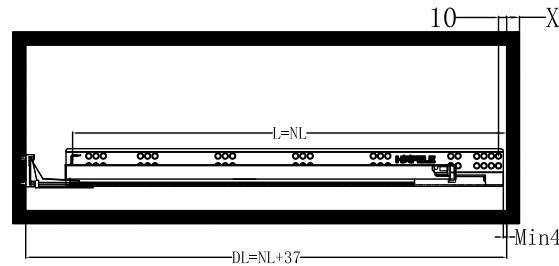
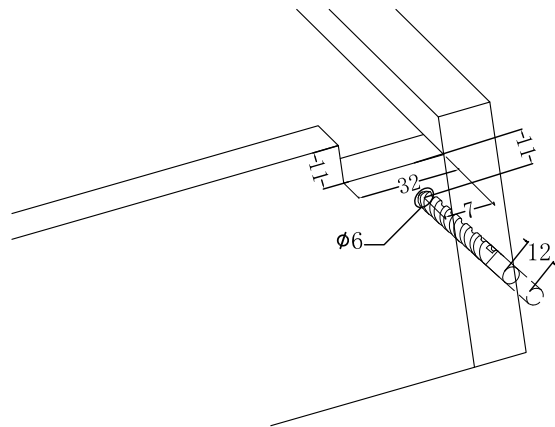
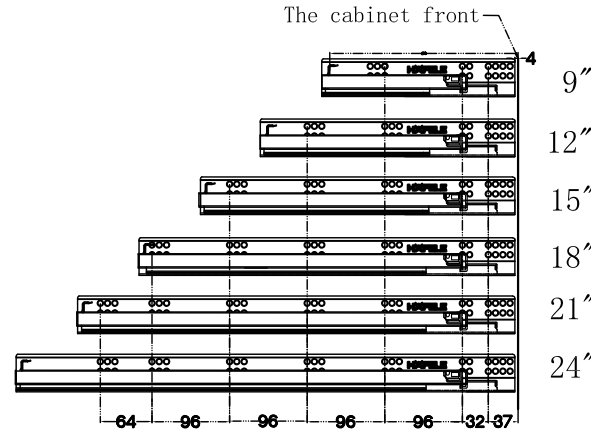


Calculation Of The Internal Drawer Space Dimensions



The asterisk number is the installation size of 19mm thickness drawer slide

Screw positions of the slides



Nominal Length	Drawerlength	Min cabinet depth	Max cabinet depth
9" 229mm	229mm	256mm	276mm
12" 305mm	305mm	342mm	362mm
15" 381mm	381mm	418mm	438mm
18" 457mm	457mm	494mm	514mm
21" 533mm	533mm	570mm	590mm
24" 609mm	609mm	646mm	666mm

X:Panel thickness

Screw requirements			
Countersunk screw	Euro screw	P Head Screw	