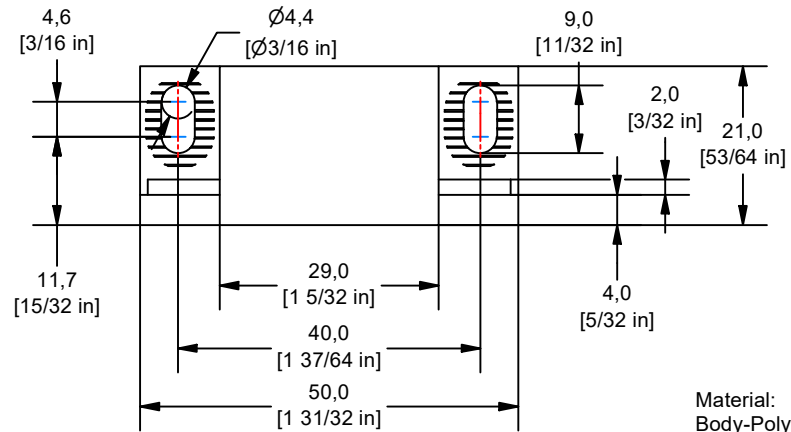
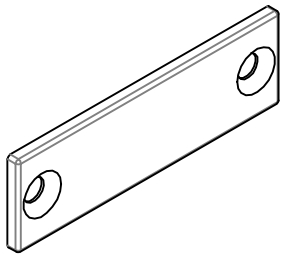
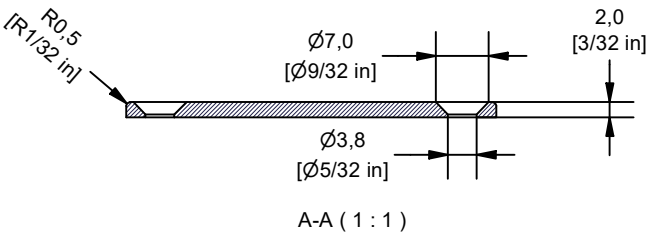
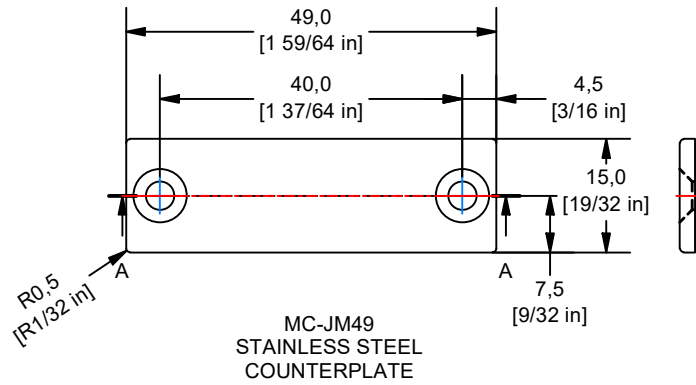
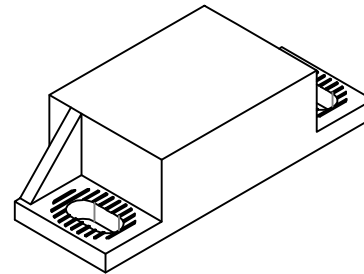
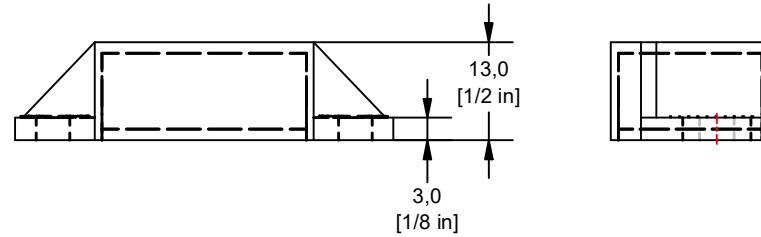


ARTICLE NUMBER	FINISH
246.53.310	WHITE
246.53.710	BLACK



Material:
Body-Polyacetal
Magnet-Neodymium



REVISION
-

ITEM/CATALOG NUMBER 246.53.X10	DRAWING NUMBER 246.53.X10
TITLE SEALED MAGNETIC CATCH	
MATERIAL A.S.	FINISH A.S.
<small>NOTICE</small> THIS DRAWING AND ALL INFORMATION THEREON IS THE PROPERTY OF: HÄFELE <small>THIS DRAWING AND INFORMATION THEREON IS CONFIDENTIAL. MUST NOT BE MADE PUBLIC. ANY USE OR COPY TO DISADVANTAGE OF HÄFELE AMERICA, INC. IS STRICTLY PROHIBITED. © 2022 HÄFELE AMERICA, INC.</small>	
DRAWN BY: NPG	APPROVED BY: JF
DATE: 11/10/2022	SCALE: 1 : 1
TOLERANCE SPECIFICATION ISO E	SIZE A
SHEET 1 of 1	