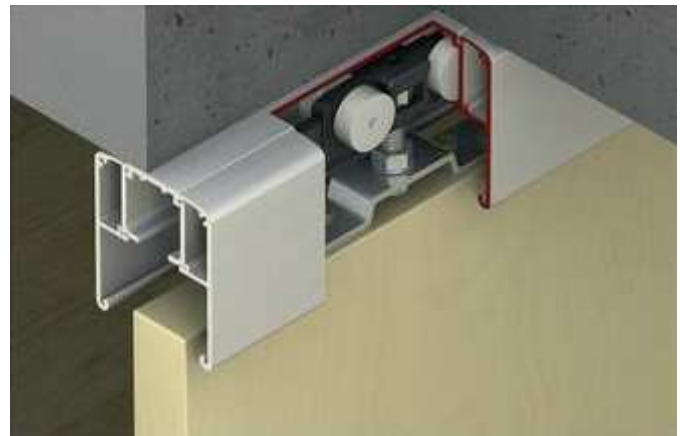


Classic 40-P to 120-P
System overview



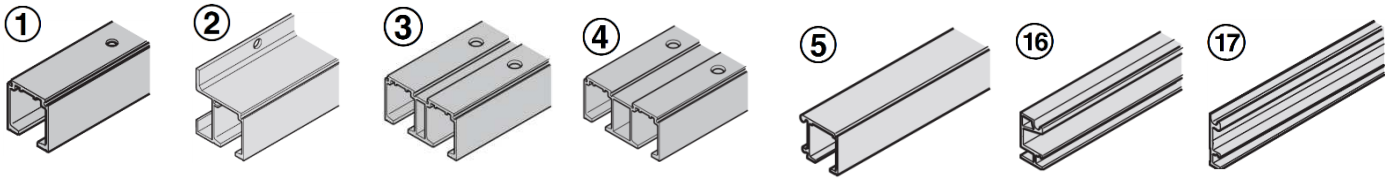
- » Door weights of 40 kg up to 120 kg
- » Soft closing on both sides possible up to 120 kg
- » For wood thickness ≥ 28 mm
- » Wall mounting and ceiling installation
- » Running track and panel: Aluminium, silver coloured anodized
- » From door width of 500 mm without soft and self closing mechanism
- » Door height adjustable ± 5 mm
- » Floor guide with zero clearance



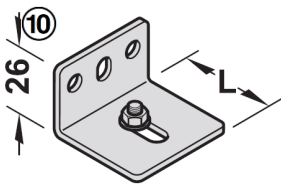
Version	Door width
A	≥ 500 mm
B	≥ 592 mm (40-80 kg)
B	≥ 681 mm (120 kg)
C	≥ 727 mm (40-80 kg)
D	≥ 847 mm (40-80 kg)
E	≥ 916 mm (40-80 kg)
E	≥ 1094 mm (120 kg)



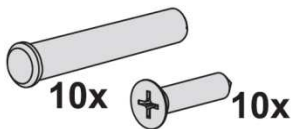
Running tracks



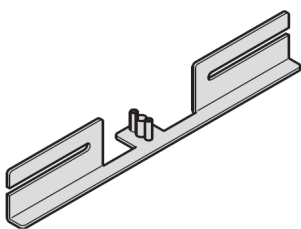
Mounting bracket and accessories



Mounting bracket with screw and nut.
For running track ①

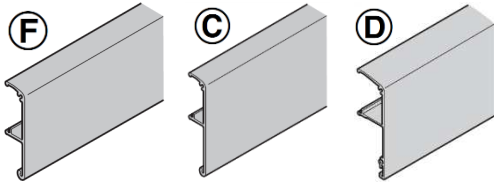


Safety clip or threaded end insert for running track (1 set).
For running track ⑤ and mounting rail ⑬ and ⑰.

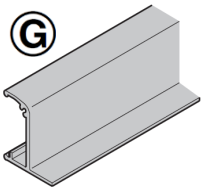


Floor guide for wall pockets, with zero clearance.
For one-sided or two-sided installation on front side of sliding door wall pocket for groove width 8-8.5 mm

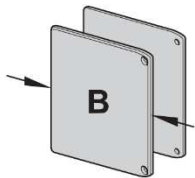
Panels and accessories



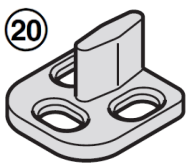
Clip panel for running tracks ① ② ③ ④ ⑤



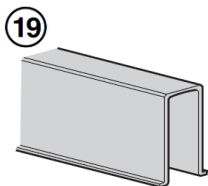
Clip panel for integration into suspended ceilings, for running tracks ① ② ③ ④ ⑤.



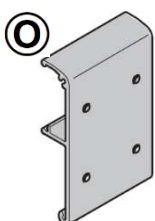
Different end cap sets, width 44-73mm (example combinations from catalogue)



Floor guide (optional)



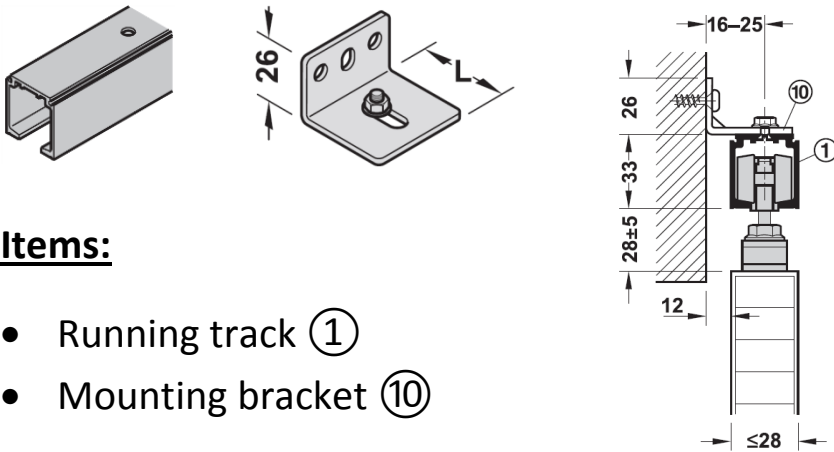
Bottom guide track, for press fitting for floor guide with zero clearance ⑱



Fixing clips for wooden panels. For running tracks ① ② ③ ④ ⑤.

Example combinations

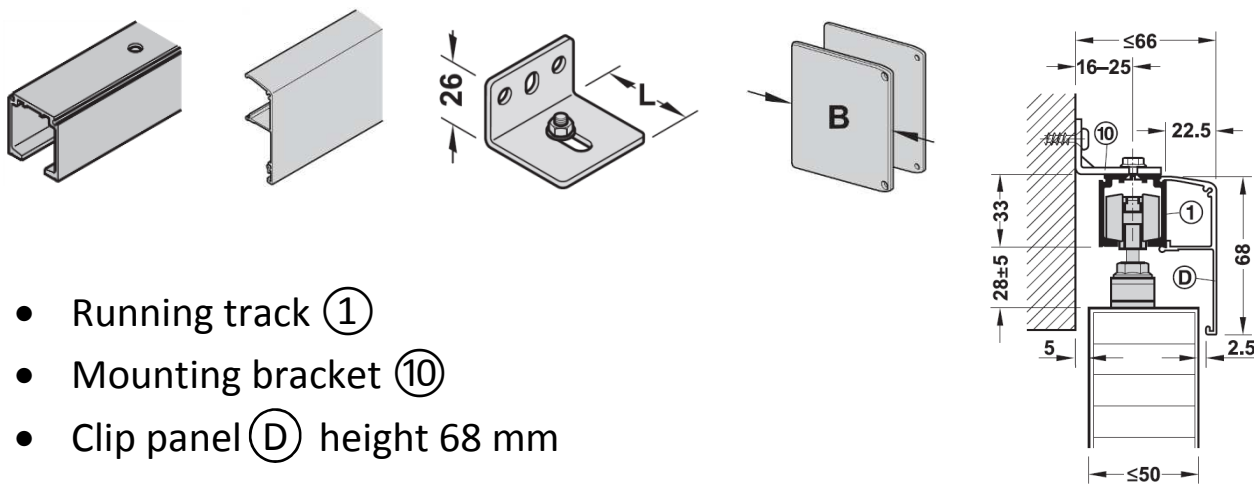
Example 1:



Items:

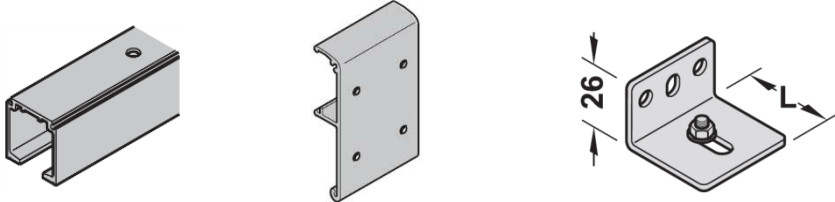
- Running track ①
- Mounting bracket ⑩

Example 2:



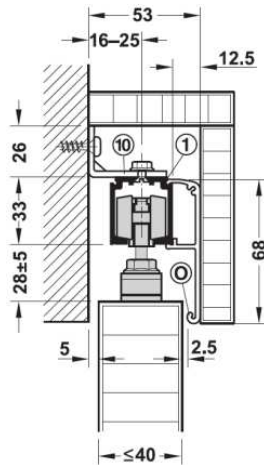
- Running track ①
- Mounting bracket ⑩
- Clip panel (D) height 68 mm
- End cap set 54 mm

Example 3

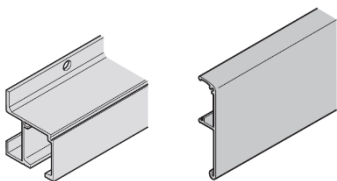


Items:

- » Running track ①
- » Mounting bracket ⑩
- » Fixing clips for wooden panels ①

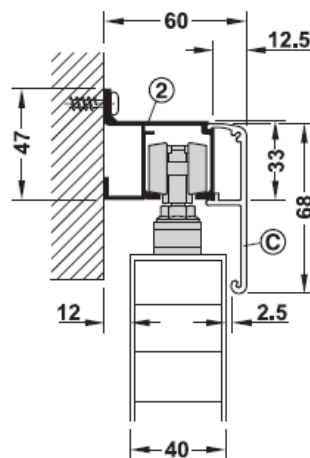


Example 4

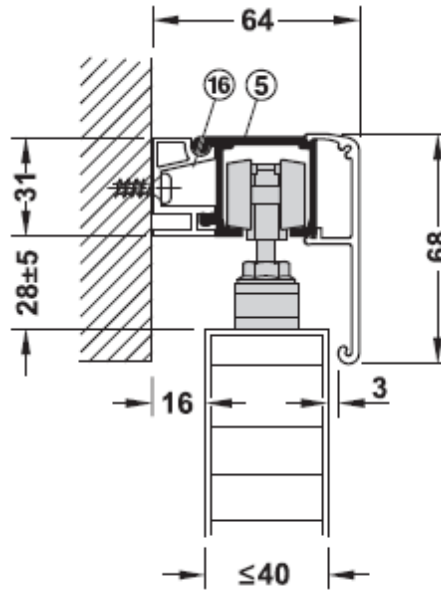
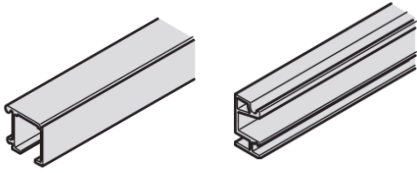


Items:

- » Running track ②
- » Clip panel ③ height 68 mm



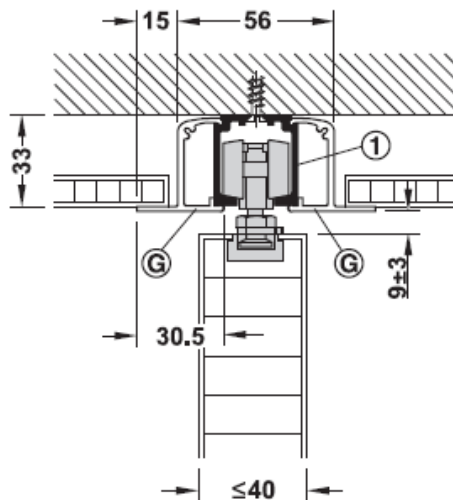
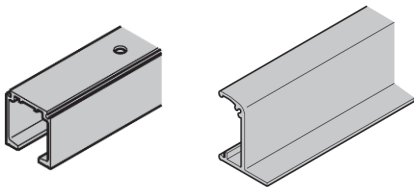
Example 5



Items:

- » Running track (5)
- » Mounting rail (16)

Example 6



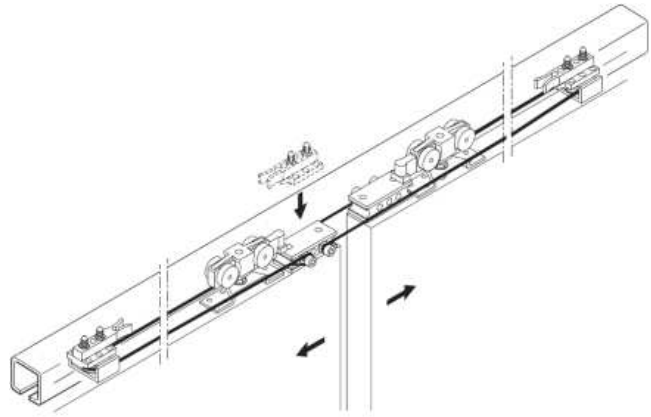
- » Running track (1)
- » 2x clip panel

Note

For other mounting examples see catalogue

Synchro Additional set

- » For 2-leaf sliding doors
- » Symmetrical opening of 2 sliding doors
- » Door width ≥ 600 mm



Synchro Set components

- » Track buffer with deflection roller
- » Cable fixing block
- » Cable with plastic sheathing 10 m

