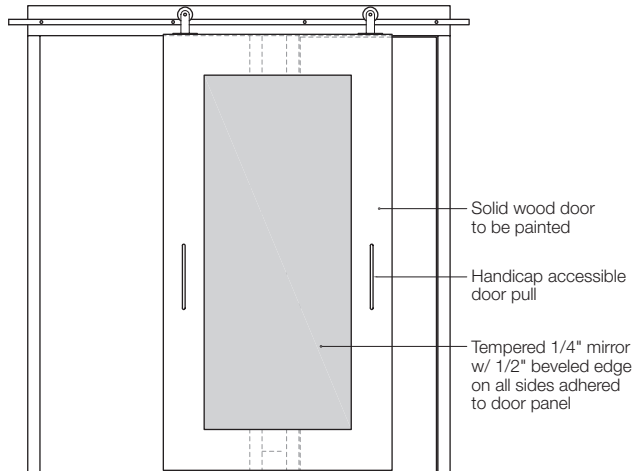


## TECHNICAL DATA SHEET

### COMPLETE DATA FOR BD 500

- > For 1 sliding wood door
- > Door weight: max. 100 kg (220 lbs.)
- > Door height: max. 2743 mm (108")
- > Door width: max. 1220 mm (48")
- > Door thickness: 35–45 mm (1 3/8"–1 3/4")
- > Soft close option is available
- > Material: Stainless Steel, matt

### ELEVATION

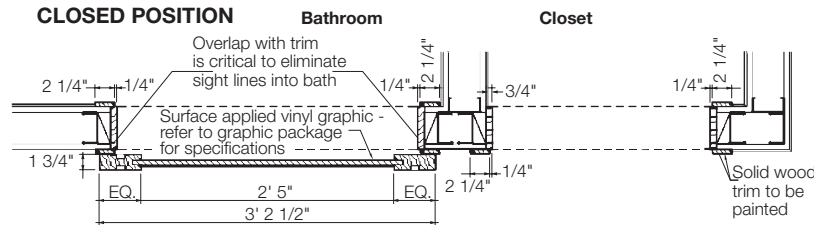


Door not included.

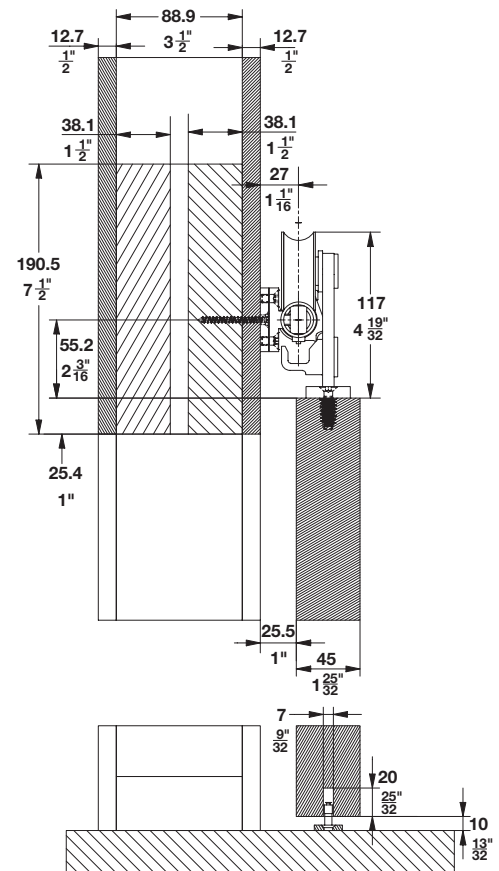
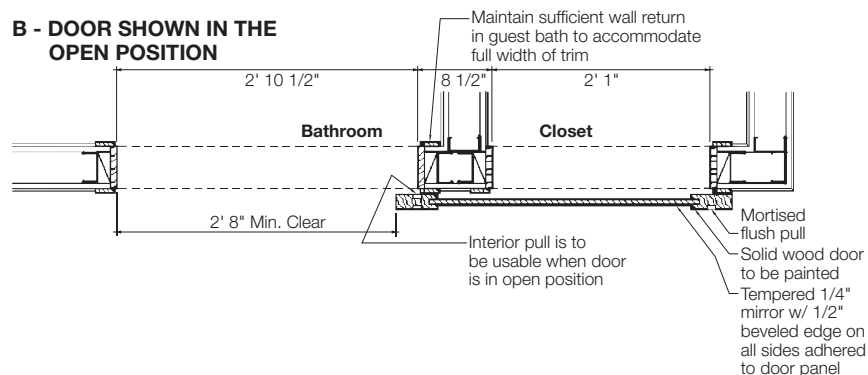


### PLAN

#### A - DOOR SHOWN IN THE CLOSED POSITION



#### B - DOOR SHOWN IN THE OPEN POSITION



For any additional information please contact:

**Ty LeFever** | Tel: (815) 315-3410 | Email: ty.lefever@hafele.us

9/9/2022

## TECHNICAL DATA SHEET

(CONTINUED)

	Model	Door weight	Supplied with	Track length	Item No.
For 1 sliding door	BD500	≤ 100 kg (220 lbs.)	2 running gear assemblies with anti-derail brackets 1 upper track with wall 4 or 5 attachment brackets 2 track stoppers (1 left and 1 right) 4 or 5 wall spacers 1 floor guide 1 set of mounting screws 1 hex key set	2 m (6' 6 3/4")	941.32.029
				2.5 m (8' 2 7/16")	941.32.036
	BD500 with soft close	≤ 100 kg (220 lbs.)	2 running gear assemblies with anti-derail brackets 1 upper track with wall 4 or 5 attachment brackets and 2 integrated soft close mechanisms 2 soft close release brackets 2 track stoppers (1 left and 1 right) 4 or 5 wall spacers 1 floor guide 1 set of mounting screws 1 hex key set	2 m (6' 6 3/4")	941.32.034
				2.5 m (8' 2 7/16")	941.32.035

### ACCESSORIES FOR ACCESSIBLE GUESTROOM

#### Door Pulls with Through Bolts

**ADA Compliant**

CTC: 192 mm

Material: Zinc, stainless steel matt

#### BACK TO BACK PULL



**Item No.** 902.00.700

#### SINGLE BACK PULL



**Item No.** 902.00.710

### ACCESSORIES TO COMPLETE YOUR SLIDING DOOR

#### FLUSH PULL



Material: Stainless Steel, matt

**Item No.** 902.01.522

#### POCKET DOOR JAMB LOCK, OPTIONAL



Material: Brass, brushed chrome

**Item No.** 911.26.251

Supplied with: 2 screws, strike plate, safety hole release protector

#### ADJUSTABLE WALL MOUNTED GUIDE



Material: Steel, bronze

**Item No.** 940.40.073