

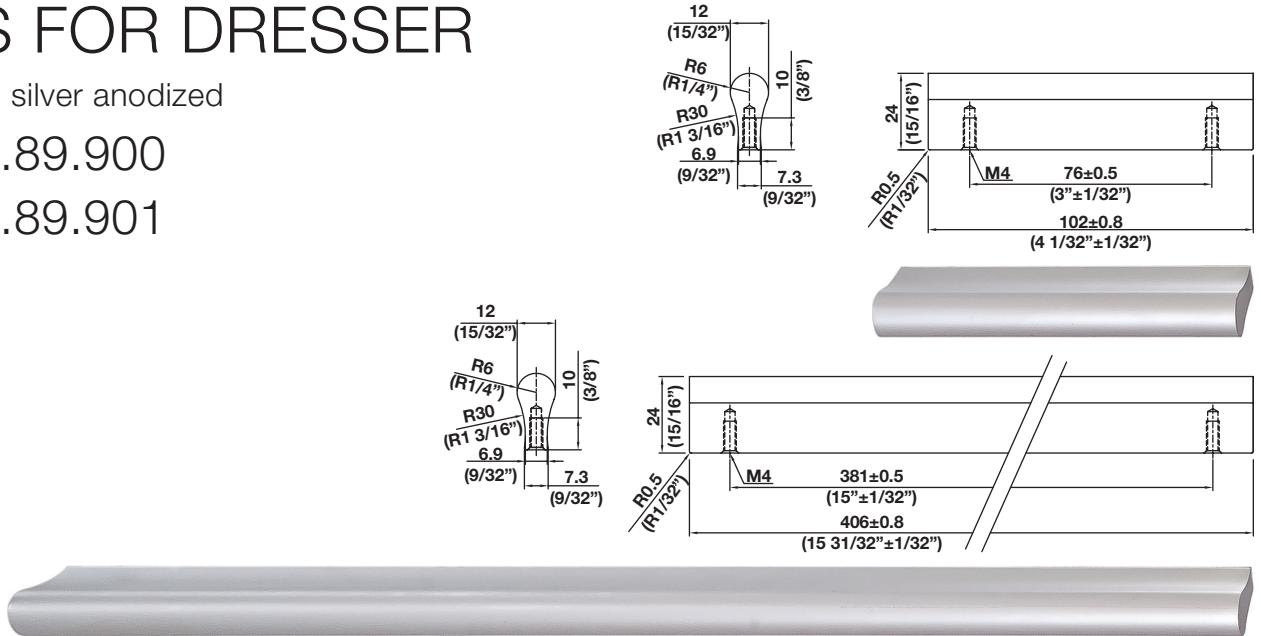
HAMPTON INN TECHNICAL DATA SHEET

HANDLES FOR DRESSER

Material: Aluminum, silver anodized

Item No. 109.89.900

Item No. 109.89.901

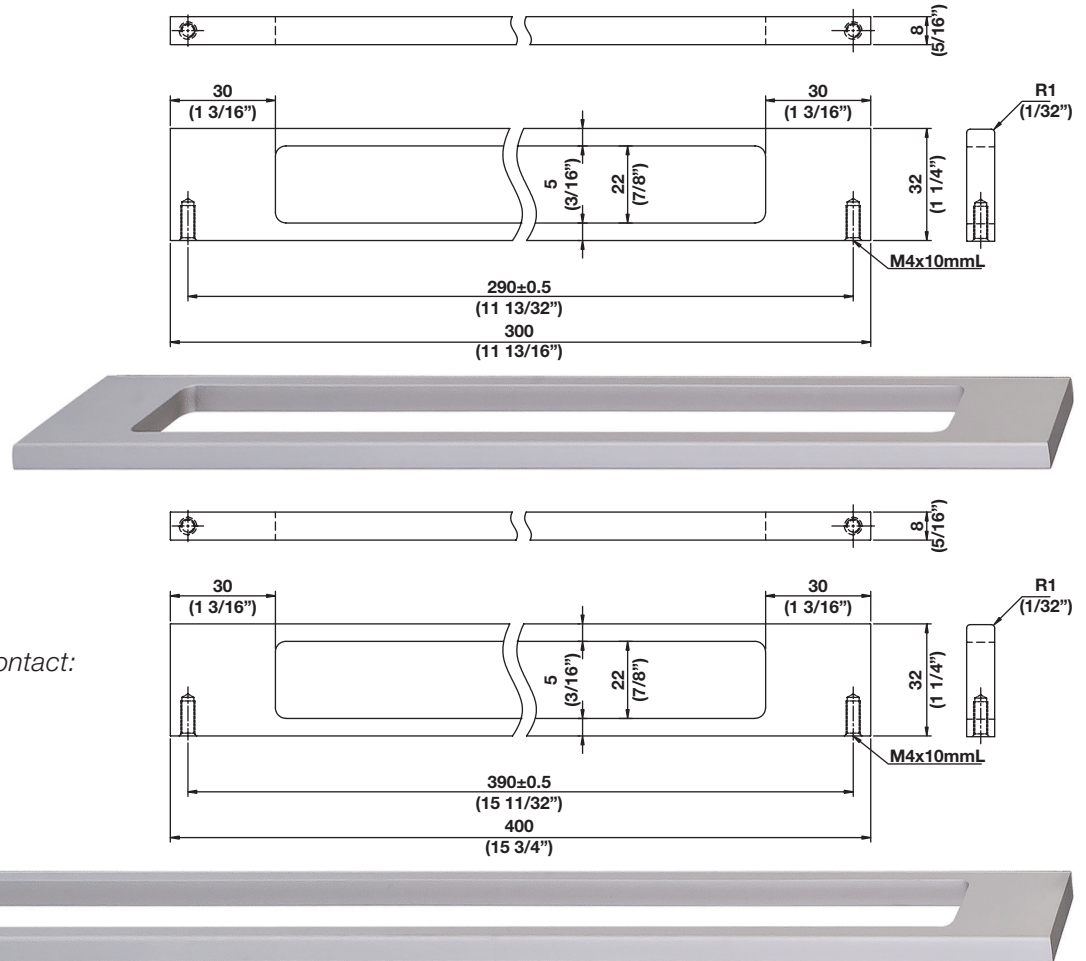


HANDLES FOR VANITY

Material: Stainless Steel, matt

Item No. 112.82.930

Item No. 112.82.931



For any additional information please contact:

Ty LeFever | Tel: (815) 315-3410

Email: ty.lefever@hafele.us

11/5/2018

HAMPTON INN TECHNICAL DATA SHEET

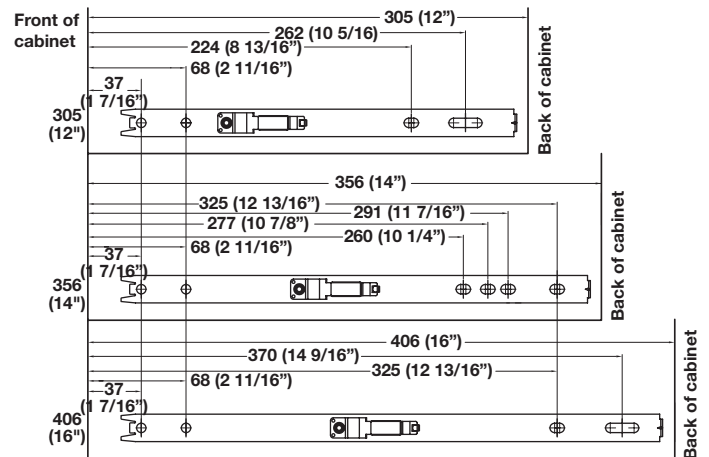
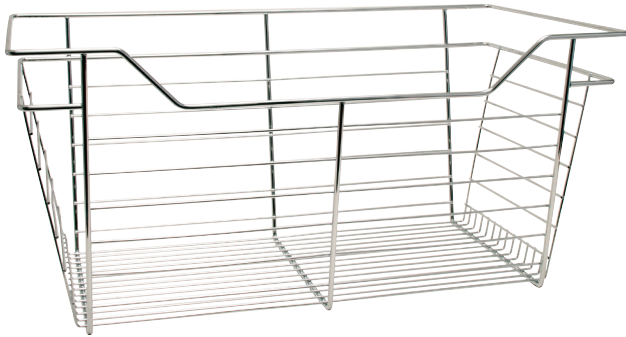
WIRE BASKET

- Ideal for storage of clothing and shoes
- Sloped basket front allows easy access to contents
- Unique side, designed with location for placement of slide
- Baskets easily disconnect for portability
- Interior opening: 18"
- Width x Depth x Height: 17" x 16" x 6"

Material: Steel; Finish: chrome-plated

Item No. 450.85.000

Supplied with 6 pcs w/slides

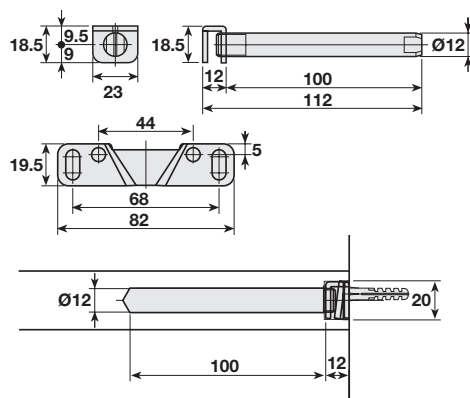


SHELF SUPPORT

- For concealed installation with screw-on plate and adjustment
- For shelf thickness: ≥ 24 mm
- Adjustment: Inclination adjustment: Via support bolt
Height adjustment: Via slots in screw-on plate
Side adjustment: Via support bolt
- Installation: For screw mounting to support element
For mounting in drilled hole in shelf

Material: Steel; Finish: galvanized

Item No. 283.33.941



Load bearing capacity (with two supports on 900 mm shelf, adding one support for every 450 mm increase in length)

Shelf Depth (mm)	Max. Load Bearing Capacity (kg)
175	20
200	17
225	15
250	14
275	13
300	12

For any additional information please contact:

Ty LeFever | Tel: (815) 315-3410

Email: ty.lefever@hafele.us